

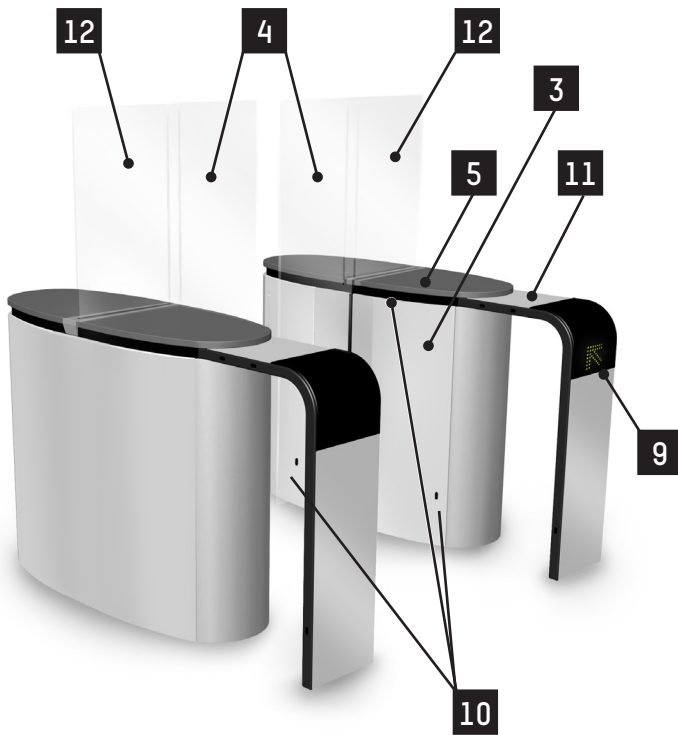
SL 911

Datasheet

Rev. 15 • Update 09/2020

AUTOMATIC
SYSTEMS

«SmartLane»



DESCRIPTION

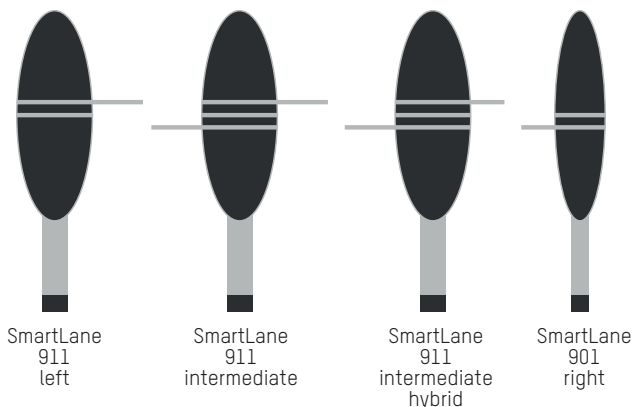
1. Self-supporting frame (made from galvanized steel) integrating the electromechanical drive assembly for each mobile leaf, the photoelectric cells for the detection of the presence of users, and the control boards.
2. Brushed AISI 304L stainless steel housing.
3. Brushed AISI 304L stainless steel side panels with key lock, allowing easy access to the electromechanical unit and the control boards.
4. Monolithic clear 12 mm thick tempered glass leaf, retracting completely into the body on opening.
5. Black laminate top cover (stainless steel around the fixed glass if any: i.e. for mobile leaf height > 1000 mm).
6. Electromechanical unit consisting of:
 - A three-phase asynchronous reduction motor.
 - Secondary transmission with crank-and-rod linkage ensuring perfect mechanical locking in both extreme positions.
 - A device for automatic opening of the mobile leaves in the event of a power failure.
 - A variable-speed controller ensuring progressive accelerations and gradual decelerations, for a movement without vibration and for protection of the mechanism and the users in the event of contact with the mobile leaves.
 - An inductive sensor controlling the position of the mobile leaf.
7. Dual control board ensuring the management of the gate and providing support for various control options and/or accessories. An LCD allows navigation in the drop-down menus and the modification of certain parameters.
8. Transfer of information through potential-free contacts: passage authorization, passage information, defect, state of the gate (free, prohibited, alarm...).
9. Orientation pictogram, indicating the state of the gate to the user (in service or out of service)...
10. Photoelectric cells for detecting presence, ensuring the control of the movement of the users through the gate as well as their safety during the movements of the mobile leaves.
11. Extension, allowing to increase the level of safety by increasing the number of detection cells and to integrate an optional access control system (badge reader for example).
12. Fixed glass preventing climbing over the gate.

Designed for heavy use in intra-building sites, the **SmartLane 911** security entrance lane ensures an effective, reliable anti-fraud and rapid control of pedestrians taller than 1 m, with or without luggage, in one direction of passage. The opposite direction offers a dissuasive passage control.


Its wide corridor facilitates the passage of less able people, wheelchairs, carriages and other cumbersome objects.

With its mechanical design and its embedded electronics, the equipment guarantees high levels of safety (prevention of fraud) and safety (protection of the users during operation).

The gate can be installed in series, in which case it will be necessary to define left-hand, right-hand and intermediate gates (with a mobile leaf on both sides of the gate). The latter can be hybrids (left and right leaves of different widths) in order to ensure compatibility with the SmartLane 90x range.



STANDARD TECHNICAL CHARACTERISTICS

Electrical supply	Single-phase 230 VAC + ground, 50/60 Hz. <i>(Do not connect to a floating network or to high impedance earthed industrial distribution network)</i>
Motor	Three-phase asynchronous 0.12 kW.
Nominal consumption	250 W / per gate.
Ambient T° of operation	from 0 °C to +50 °C
Net weight of a gate	Depending on its configuration (<i>left, right, intermediate</i>): between 200 kg and 270 kg.
Min opening or closing times	Opening time: 0.7 s Closing time: 0.8 s <i>(Minimum movement times, configurable. These times do not take into account the reaction of the access control system. The passage request memory function makes it possible to accelerate the flow: no closing between 2 requests)</i>
MCBF	Average number of cycles between breakdowns, when respecting recommended maintenance: 5.000.000.
IP	40
Communication	CAN bus communication between the various modules making up the passage.
	Conforms to CE standards. The silicon protection strip on mobile leaf option is necessary to comply with the norms related to impact force

PRECAUTIONS FOR USE

- For security reasons, children (user smaller than 1 m tall) must be supervised by an adult at all times when in the vicinity of the unit and during passage through the lane.
- A child must absolutely precede the accompanying adult when lane passage is required
- If habitual use by children is anticipated, Automatic Systems recommends the addition of all options required to optimize the level of protection.

WORK TO BE PROVIDED BY THE CUSTOMER

- Bolting the unit to the floor.
- Power supply.
- Cabling between gates in the same array.
- Cabling to any external peripherals.
- Integration of any accessories.

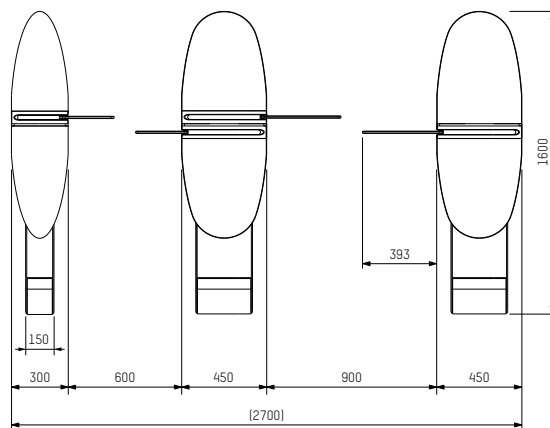
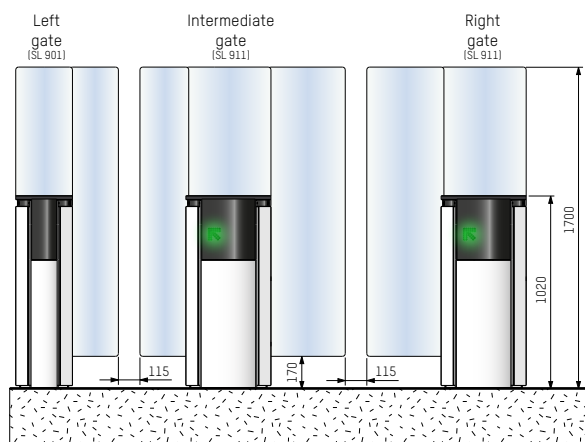
Note: Comply with the installation drawing.

OPTIONS

1. Glass leaves of non-standard height - 1000, 1200 or 1900 mm.
2. Protective section for mobile glass leaves, all heights.
3. Group of protection cells on fixed glass leaves of 1200, 1700 or 1900 mm.
4. Enhanced electronic protection cell kit (A and B directions).
5. Trolley protection cell kit.
6. Enhanced electronic protection and trolley protection cell kit.
7. "Free opening" cell kit.
8. Function pictogram, per direction.
9. External support kit for reader integration on housing or on extension.
10. Electromagnets to lock obstacles in open position in case of power failure (per lane).
11. Power supply 120 V — 60 Hz (per lane).
12. Personalized logo on glass – sandblast effect sticker.
13. Painted stainless steel panels.
14. Extension with stainless steel filler panels.
15. Laminate top cover.
16. Stainless steel top cover.
17. Smart & Slim monitoring panel.
18. Integrated SafeFlow.
19. SafeFlow pedestal.

Note: For restrictions on options, refer to the price list.

STANDARD DIMENSIONS (MM)



Headquarters

Avenue Mercator, 5
1300 Wavre - Belgium



✉ helpdesk.as@automatic-systems.com



☎ +32.(0)10.23.02.11



🌐 www.automatic-systems.com

