

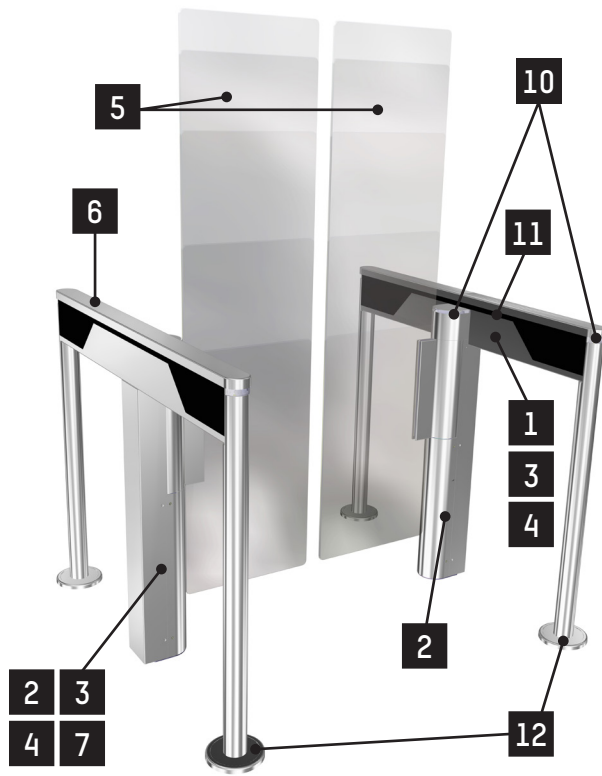
# SL 950SC

## Datasheet

Rev. 07 • Update 08/2020

**AUTOMATIC**  
SYSTEMS

|| SlimLane



The **SlimLane 950SC double swing door** security entrance lane offers a high **bidirectional throughput** and uncompromising security.

With its transparent, elegant design and **minimal footprint**, the **SlimLane 950SC** is designed to integrate perfectly into any architectural style.

Its **wide lane** ensures easy access for people with reduced mobility, wheelchairs, large carts or wide objects.

The **SlimLane 950SC** is also configured for **partial opening**: in PRM lane, if a valid person scans, the doors open to allow a passage width of only 600mm in order to reduce side-by-side fraud.

Equipped with high processing capacity and an exclusive detection system, the **SlimLane 950SC** guarantees accurate user tracking and prevents any unauthorised use.

The **SlimLane 950SC** is a modular product that can be installed as a single or a multi-lane array and can also be combined with the SlimLane 940SC wide lane model.




SL 950SC + SL 940SC

## DESCRIPTION

1. Handrail frame: steel beam with RoHS anti-corrosion zinc plating treatment and stainless steel posts. The handrail includes photoelectric cells for user detection and the logic control board.
2. Self-supporting kinematic steel frame with RoHS anti-corrosion zinc plating treatment. The frame contains the electromechanical drive assembly for the swinging obstacle and the electronic control boards.
3. Brushed #4 AISI 304L stainless steel housing.
4. Brushed #4 AISI 304L stainless steel panels fastened to the frame for access to the internal components.
5. Clear, 10 mm thick tempered monolithic glass obstacles, swinging in the direction of user passage.
6. Brushed #4 AISI 304L stainless steel top cover.
7. Electromechanical drive units each consisting of:
  - A DC permanent magnet motor with epicyclic gearbox.
  - A controller providing progressive accelerations and decelerations of the obstacle, for smooth movement and enhanced user safety.
  - A geared electromagnetic brake for locking of obstacles in the event of forced entry attempts.
  - A sensor controlling the obstacle position.
  - **SECURI-SAFE** standard operating mode: electromechanical lock of the obstacles in case of forced entry attempt in any passage directions.
8. Logic control board, equipped with ARM technology and the Linux operating system, ensuring advanced traffic management. An embedded Web server, accessible by a simple web browser, offering an interface for the configuration of functional gate parameters as well as a complete diagnostic and maintenance tool.
9. Transfer of information from XML-RPC protocol through an Ethernet or USB interface, and dry contacts: passage authorisation, passage information, reader locking, fraud, equipment failure, ...
10. Orientation and function pictograms indicating gate and passage status to the user.
11. Proprietary DIRAS detection system, consisting of a high-density matrix of infrared transmitter/receiver photocells beams. It follows users progression through the gate as well as ensuring their safety during opening/closing of the obstacles.
12. Finishing plate for post.



## STANDARD TECHNICAL CHARACTERISTICS (PER LANE)

Electrical supply	Single phase 110-240 VAC (+/-10%) - 5A - 50/60 Hz + Ground
Power consumption	Standby: 50 W Cycle: 170 W Maximum: 300 W
Motors (x2)	24V DC – nominal output power 93 W
Passageway (L)	900 mm 875 mm < L < 950 mm ( <i>min/max</i> )
Min opening or closing times	0.9 s <i>(Depending on the access control system reactivity and the speed of users)</i>
Ambient operating Temperature	0 to +50°C
Ambient relative humidity in operation	< 95%, without condensation
MCBF	5,000,000 mean cycles between failures, with recommended maintenance.*
Sound level	50 dB
Weight	64 kg ( <i>per left/right unit</i> ) 95 kg ( <i>per intermediate unit</i> )
Protection	IP40
	Conforms to European standards

\* Maintenance operations are detailed in the technical manual.

## PRECAUTIONS FOR USE

- For security reasons, children (user smaller than 1 m tall for mobile obstacles of 900 mm height and smaller than 1.3 m for mobile obstacles from 1200 mm to 1800 mm height) must be supervised by an adult at all times when in the vicinity of the unit and during passage through the lane.
- A child must absolutely precede the accompanying adult when lane passage is required.
- If habitual use by children is anticipated, Automatic Systems recommends the addition of all options required to optimize the level of protection.

## WORK TO BE PROVIDED BY THE CUSTOMER

- Bolting the unit to the floor.
- Power supply.
- Cabling between gates in the same array.
- Cabling to any external peripherals.
- Integration of any accessories

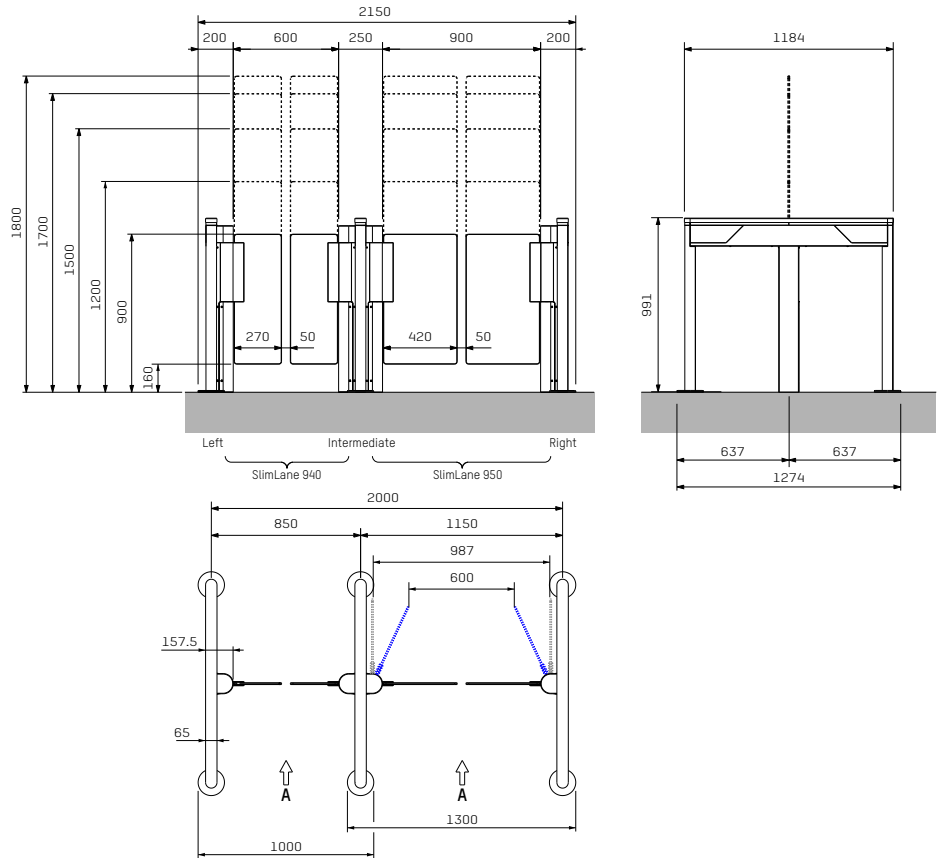
**Note:** Comply with the installation drawing.

## OPTIONS

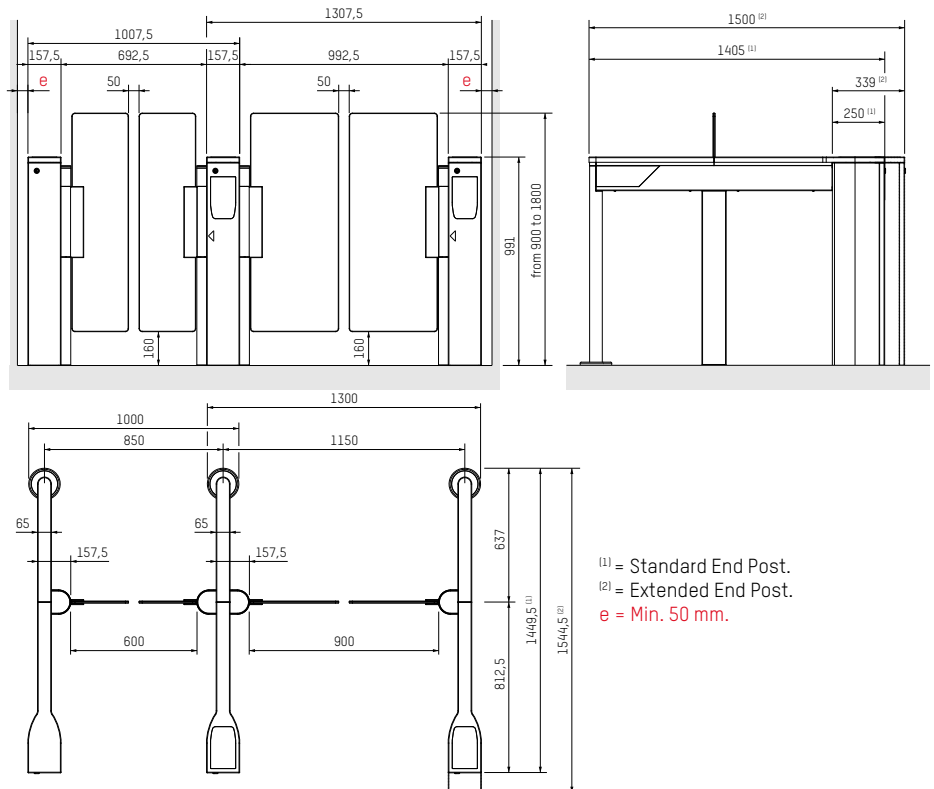
1. "EGRESS" operating mode: obstacles open in the direction of egress by a simple push.
2. Battery backup for automatic opening in case of power failure and obstacle locking mechanism in egress direction.
3. Mobile glass obstacles – height of 1200, 1500, 1700 or 1800 mm.
4. End post without bottom flange.
5. Fixed external obstacle.
6. Fixings for fixed external obstacle.
7. Glass side wall with enhanced electronic protection and "trolley" protection cell kit (A and B directions).
8. Glass side wall.
9. Lighting kit for fixed side wall.
10. Personalized logo on glass – sandblast effect sticker.
11. Black top cover.
12. Paint in: RAL9005, RAL5008, RAL6014, RAL7003, RAL7016, RAL9010.
13. Extension housing (EP), including orientation pictogram (A direction or/and B direction).
14. Extended extension housing (EP), including orientation pictogram (A direction or/and B direction).
15. Angled housing towards passage for extension housing.
16. Reader integration kit for extension housing or angled housing.
17. Hinged access door for extension housing.
18. Badge or token bin and hinged access door for extension housing.
19. Integrated token acceptor with receptacle and hinged door.
20. Ø 28 or Ø 30 tokens.
21. Independent support post with standard reader integration kit.
22. External support kit for reader integration on housing.
23. Fixing frame for streamlined passageway.
24. Low or high fixed handrail.
25. Raised top.
26. Raised top ready for one barcode reader IBC QSCANT (one direction) or 2 readers (2 directions).
27. Escape route button per EN 13637 norm, on the front of the right endpost (B direction).
28. Support post with escape route button per EN 13637 norm.
29. Cable draw wire for onsite installation.
30. Additional AS1168 I/O card.
31. Integrated SafeFlow.
32. SafeFlow pedestal.
33. "Smart & Slim" monitoring panel.
34. "Smart Touch" configurable interactive control panel.

**Note:** For restrictions on options, refer to the price list.

## STANDARD DIMENSIONS FOR SLIMLANE 950SC



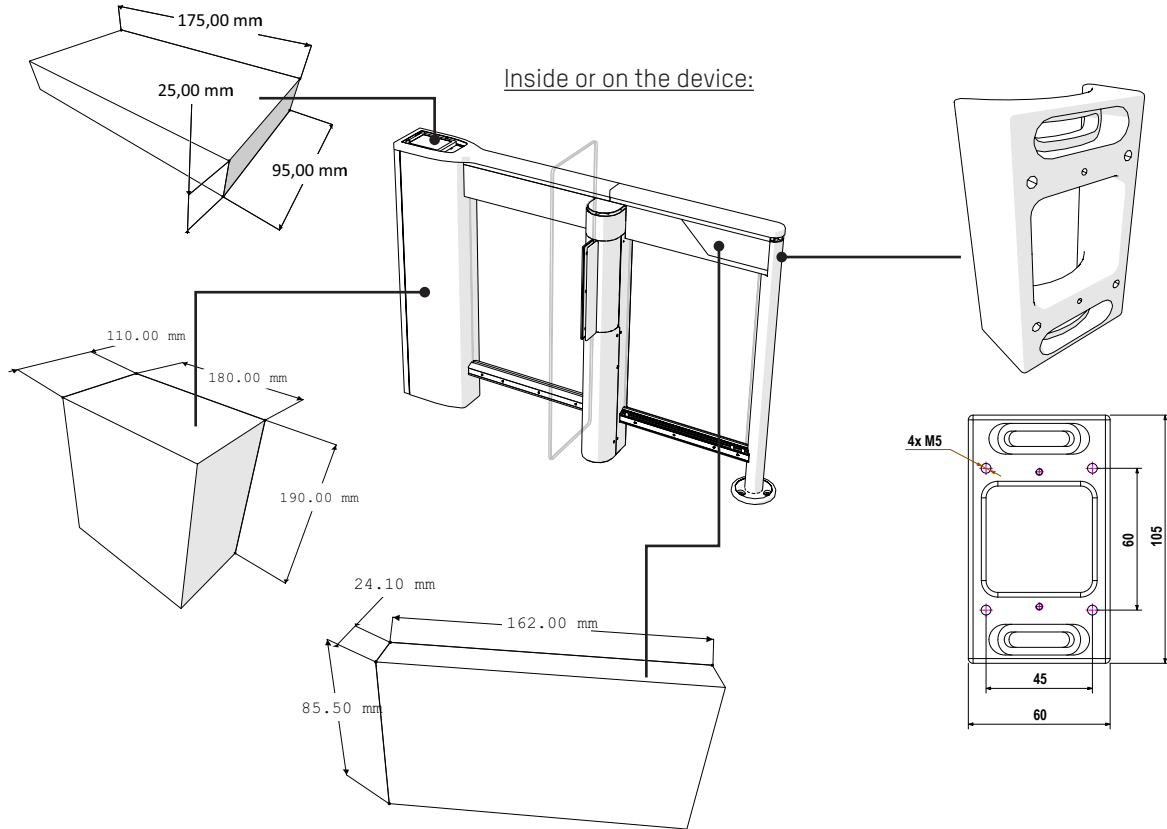
## STANDARD DIMENSIONS FOR SLIMLANE 950SC EP (OPTION)



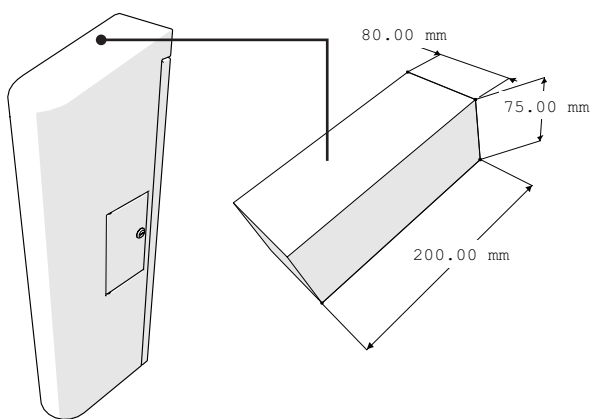
(1) = Standard End Post.  
 (2) = Extended End Post.  
 e = Min. 50 mm.

## AVAILABLE VOLUMES FOR READER INTEGRATION

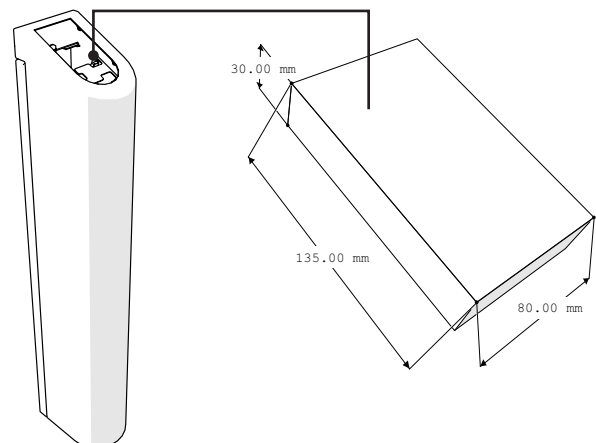
If a doubt exists concerning the reader who will be used, please, contact your commercial responsible.



On external long post:



On external short post:



### Headquarters

Avenue Mercator, 5  
1300 Wavre - Belgium



helpdesk.as@automatic-systems.com



+32.(0)10.23.02.11



www.automatic-systems.com

